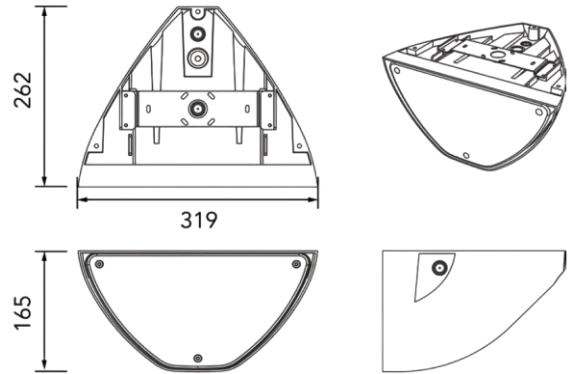


# BORNEO wall light



**BORNEO** – a durable and robust fitting featuring a die-cast aluminium housing and frosted diffuser for enhanced visual comfort. Selectable Wattage and CCT provide flexibility, while optional plug-and-play motion sensor and emergency versions support a wide range of applications. The flat diffuser helps minimise light spill and reduces upward light.

- Durable die-cast aluminium body, built for tough environments
- UV protected powder coated finish providing high corrosion resistance
- Wattage selectable from 15w – 28w
- CCT selectable for flexible selection to suit many environments
- Available in standard and EMG models
- Plug & play microwave sensor available
- Anthracite RAL 7016



Version	Power Selectable (W)	CCT Selectable	Lumen output	CRI	Beam angle	IP	IK
Standard or EMG	15 (Both Off) 20 (1 Off, 2 On) 24 (1 On, 2 Off) 28 (Both On)	3000 (WW) 4000 (NW) 6500 (CW)	1950 2600 3120 3640	>80	120	IP65	IK10



Power selectable on the driver



CCT selectable on the gear tray