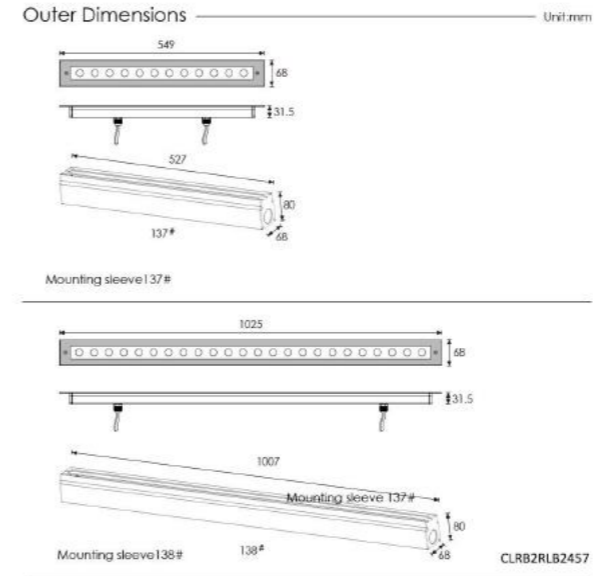
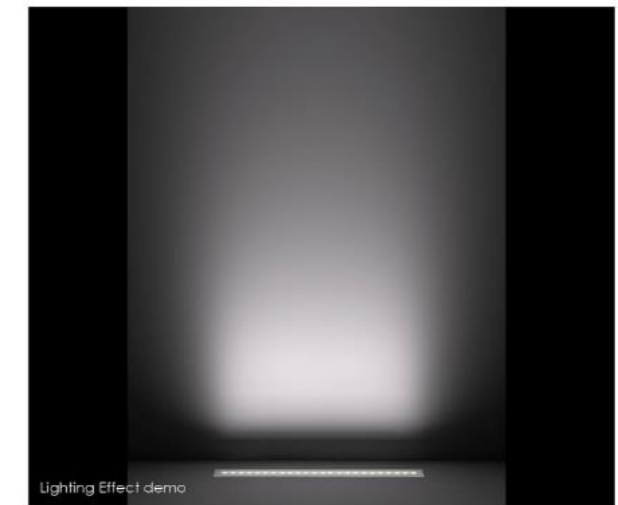


Canon Linear Recessed High Luminance Output Recessed Linear inground light



Material specifications

Housing	Extruded aluminium, powder coated
Front cover	Hard chrome-plated stainless steel SUS 316L
Light Window	Tempered frosted step glass.T=6mm
Lens	Optical lens.efficiency>85%
Cable gland	IP-68 PG-9 PVC
Gasket	Glass and housing are silicone sealed
LED	Single color OSRAM LED
Operating temperature	-20°C~40°C
Power Cable	H05RN-F 2X1.0mm² L=0.5m(low voltage) H05RN-F 3X1.0mm² L=0.5m(high voltage)
Mounting sleeve	Powder Coated Aluminium 137# 138#
Dimmable Support	Triac PWM 1-10V Dali



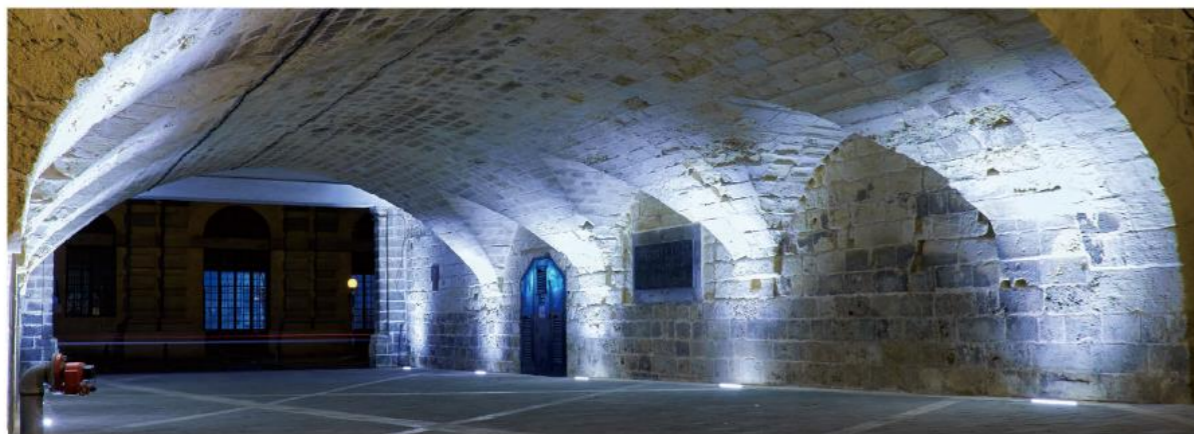
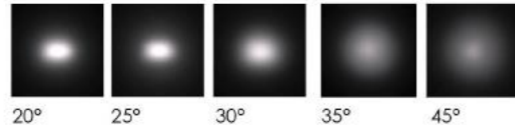
LED Colour Temperature

- 2000K
- 3000K
- 4000K
- 6000K

Optics

B32
LO120F024PS 20°
LO125F024PS 25°
LO130F024PS 30°
LO120F024PS 35°

B32



Item	Light source	Lens	Length L(mm)	The manufacturer selected lens degree(°)θ1/2	Input voltage(v)	Typical operating current(mA)	Typical consumption(w)	Typical luminance(lm)	IK rate
CLR82RLB1257	12x1.5W Single color	B32	549mm	20°	24V DC 120/240	2.4V = 910 120V = 143 240V = 79	2.4V = 22.0 120V = 17.0 240V = 17.5	Cool white = 1108 Warm white = 1020	07
CLR82RLB2457	24x1.5W Single color	B32	1025mm	20°	24V DC 120/240	2.4V = 1826 120V = 312 240V = 156	2.4V = 44.0 120V = 36.0 240V = 36.4	Cool white = 2198 Warm white = 2055	07

