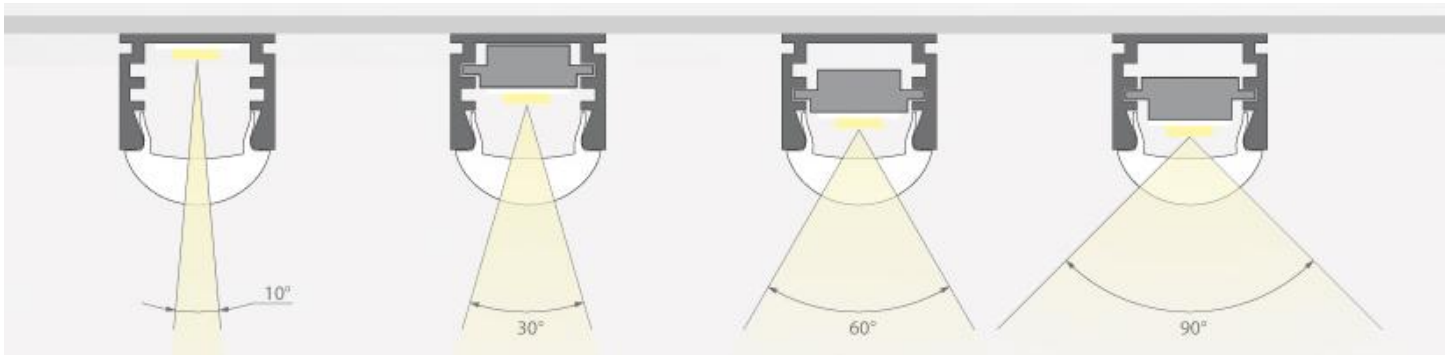
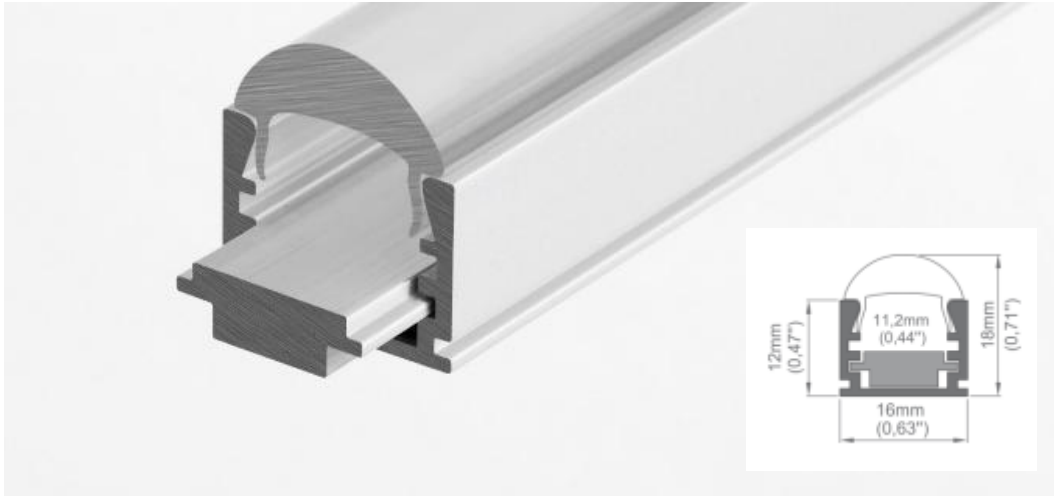




Mini-Slim Linear LED



Product Family Name:	Mini-Slim Linear LED
Product Family Code:	MS.>length<.>CCT<.>Beam angle<
LED Brand:	Nichia/Lumileds/Osram/Cree/Edison
LED Colour Temp:	3500-6500K
CRI:	>70
Light Source Replaceable:	YES (if unpotted)
Power Supply:	Separate
Optical Type:	10°, 30°, 60°, 90°
Optical Distribution:	Multi Layer
Optical Cover/Lens:	Clear
Dimmable:	OPTIONAL
Photocell:	n/a
Power Cable:	1m
IP Rating:	IP20 (IP67 when potted)
Mounting:	Recessed
Aiming Angles:	n/a

Input Voltage:	Set by external driver
Input Frequency:	Set by external driver
Control Signal:	Set by external driver
Chassis Material:	Anodised Aluminium
Chassis Colour:	Natural
Optical Cover/lens:	(Optional plastic)
Mechanical Accessories:	Clips and brackets available
Weight:	4kg per meter
System Power:	7.2 to 43.2w/m
Luminous flux:	480 to 3300Lm/m
LED Luminaire efficacy:	67 to 76Lm/W
Surge Protection	n/a
Working Temp:	-40° to +50°C
Lifetime:	>30,000