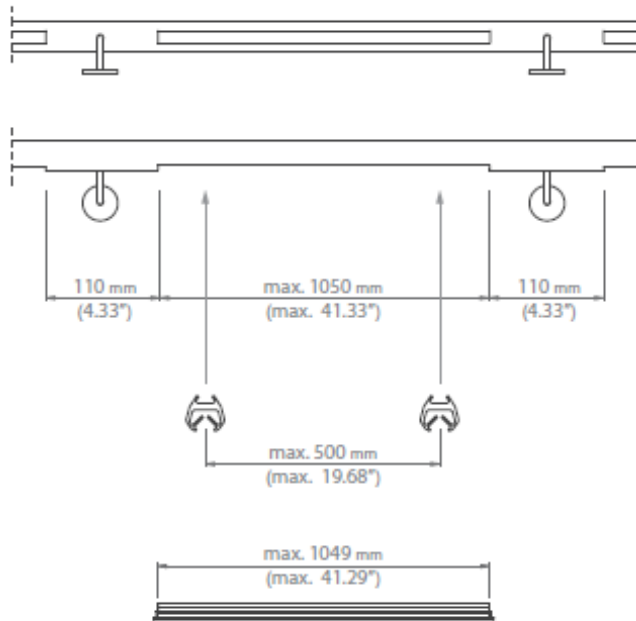




Product Family Name:	Handrail Linear LED	Input Voltage:	12v or 24vDC
Product Family Code:	HRL.>LED CCT<.>Lumen output<.	Control:	Optional 0-10v & DALI
LED Colour Temp:	3000K to 6500K (Optional Tuneable White)	Chassis Material:	Anodised Aluminium
CRI:	>70 (80 & 90 on request)	Chassis Colour:	Natural
Light Source Replaceable:	YES (if unpotted)	Mechanical Accessories:	Clips and brackets available
Power Supply:	Separate	System Power:	7.2 to 19.2w/m
Optical Type:	110°	Luminous flux:	480 to 1400Lm/m
Optical Distribution:	Multi Layer	LED Luminaire efficacy:	67 to 100Lm/W
Optical Cover/Lens:	Opal or Clear	Surge Protection	n/a
Dimmable:	OPTIONAL	Working Temp:	-40° to +50°C
Power Cable:	Please specify	Lifetime:	50,000
IP Rating:	IP20 (IP67 when potted)		
Mounting:	Recessed		
Aiming Angles:	n/a		



EN Removing the fixture should be performed by releasing the flanges from both sides of the latches. Removing the fixture can cause their deformation. In outdoor applications waterproof LEDs should be used or the fixture should be sealed. Holes should be made in the handrails to allow an outlet for water trapped inside.

