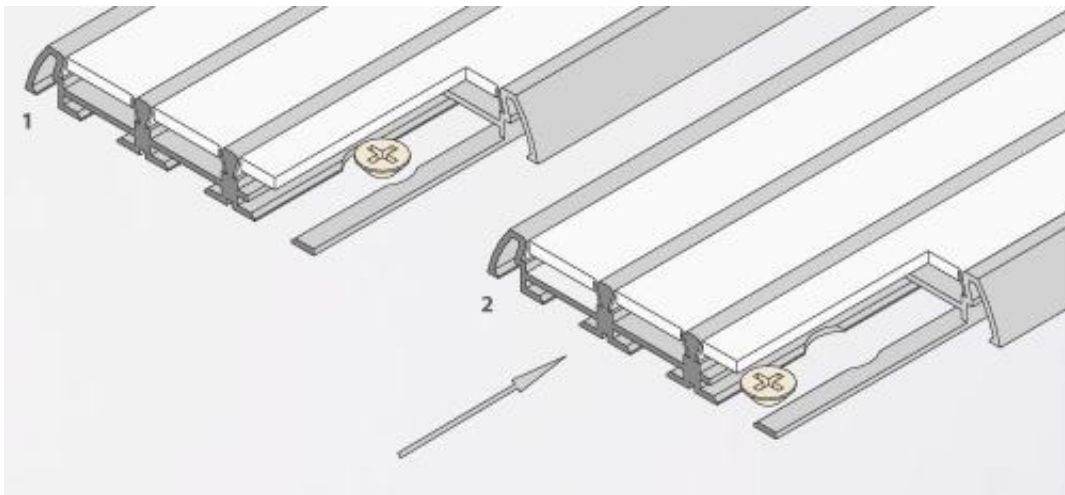




Surface Linear LED



Product Family Name:	Extra-Slimline Surface Linear LED	Input Voltage:	Set by driver
Product Family Code:	ATLNSS.....	Input Frequency:	Set by driver
LED Brand:	Nichia/Lumileds/Osram/Cree/Edison	Control Signal:	Set by driver
LED Colour Temp:	3500-6500K	Chassis Material:	Aluminium
CRI:	>70	Chassis Colour:	Natural
Light Source Replaceable:	YES (if unpotted)	Optical Cover/lens:	(Optional plastic)
Power Supply:	Separate	Mechanical Accessories:	recessed channel & clips
Optical Type:	120°	Weight:	3kg per meter
Optical Distribution:	Multi Layer	System Power:	7.2 to 43.2w/m
Optical Cover/Lens:	Optional (clear or opal)	Luminous flux:	480 to 3300Lm/m
Dimmable:	OPTIONAL	LED Luminaire efficacy:	67 to 76Lm/W
Photocell:	n/a	Surge Protection	n/a
Power Cable:	1m	Working Temp:	-40° to +50°C
IP Rating:	IP20 (IP67 when potted)	Lifetime:	>30,000
Mounting:	Recessed		
Aiming Angles:	n/a		

Recessed Linear LED

Product characteristics

The three-channel extrusion made from high quality, double-anodized aluminum, designed for flexible or rigid LED strips that are 8 - 12 mm wide. One of the accessories offered for the extrusion are covers that shade and protect LEDs inside the profile. There are few types of covers: cover K12 (frosted or transparent) or HS12 (frosted or transparent). Covers are made of polycarbonate, and additionally, HS12 covers are certified for excellent resistance to all weather conditions or UV radiation as well as are flame retardant. Standard polypropylene end caps are used for the extrusion as supplementary accessories. End caps protect the extrusion from dust and other undesirable elements, which can make LED strips dirty and consequently deteriorate lighting parameters.

LED fixture can also be assembled to be waterproof and has its ingress protection rating (protection against the ingress of solids, dust and water) equal IP 67.

Applications

The extrusion with LED light source is mostly used as interior lighting, especially to light cabinets, glass-cases, or as a decoration light for a niche in drywall ceilings. Due to the possibility of installing three strips inside the extrusion it can be used as a primary energy-efficient light source. IP 67 version can be also used as an outdoor lighting for elevations or architectural elements of gardens.

Products related to the Extrusion



cover type K12
frosted (00155)
transparent (00156)



cover type HS12
frosted (00157)
transparent (00158)



end cap
without hole (00090)

Technical specification

Ingress Protection Rating	IP 20 (standard), IP 67 (optional)
Available lengths	1 m / 2 m (can be cut to any size)
Material	body – aluminum, cover – polycarbonate (PC), end cap – polypropylene (PP)

Product is RoHS compliant.

