



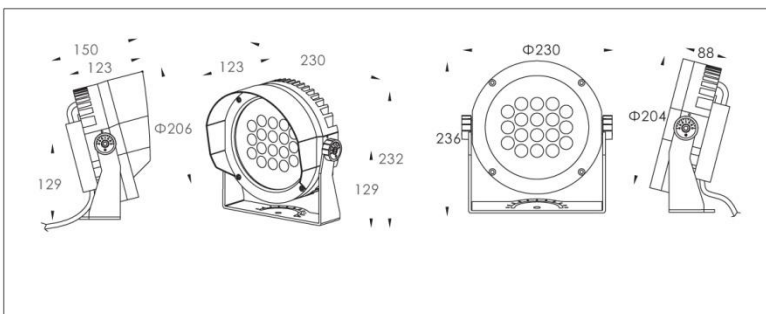
# Canon Colour – Round Series

LED architectural & landscape



### Chassis colour

Powder Coated RAL 9006	Powder Coated PANTONE 432u	Powder Coated RAL9005



### Material specifications

Housing	12# Die-casting powder coated aluminum . T=60-80µm. Adhesion of ISO class 1/ASTM class 4B
Glass	Tempered glass. T=4mm
Cable gland	Copper and hickel coated
Lens	Optical lens, efficiency ≥85%
LED	IQ type power LED for RGB, single color is OSRAM
Bracket	Powder coated steel. T=2.5mm
Operating temperature	-20°C~40°C
Power Cable	H05RN-F 2X1.0mm² L=2.0m (low voltage) H05RN-F 3X1.0mm² L=2.0m (high voltage) H05RN-F 5X0.5mm² L=2m (for RGB)





## Canon Colour – Round Series

<b>Product Family Name:</b>	Canon Colour - Round Series	<b>Input Voltage:</b>	LV = 24vDC Mains = 100-240V
<b>Product Family Code:</b>	CPR-FL-NB-Purple-30	<b>Control Signal:</b>	n/a (Set by driver for LV version)
<b>LED Brand:</b>	Osram	<b>Chassis Material:</b>	Powder Coated Die-cast Aluminium
<b>LED Colour Temp:</b>	RGB or Single colour	<b>Chassis Colour:</b>	Grey
<b>CRI:</b>	n/a	<b>Optical Cover/lens:</b>	4mm Tempered Glass
<b>Power Supply:</b>	LV-Separate or Mains - Integrated optional	<b>Options:</b>	n/a
<b>Optical Type:</b>	Spot 20°	<b>Mechanical Accessories:</b>	Bracket included
<b>Optical Distribution:</b>	Single Spot	<b>Weight (Kg):</b>	4
<b>Optical Cover/Lens:</b>	PMMA	<b>System Power (w):</b>	30w
<b>Dimmable:</b>	Optional	<b>IK:</b>	5
<b>Photocell:</b>	n/a	<b>Working Temp:</b>	-20° to +40°C
<b>IP Rating:</b>	IP65		
<b>Mounting:</b>	Stirrup bracket with aiming		