



## Actual size



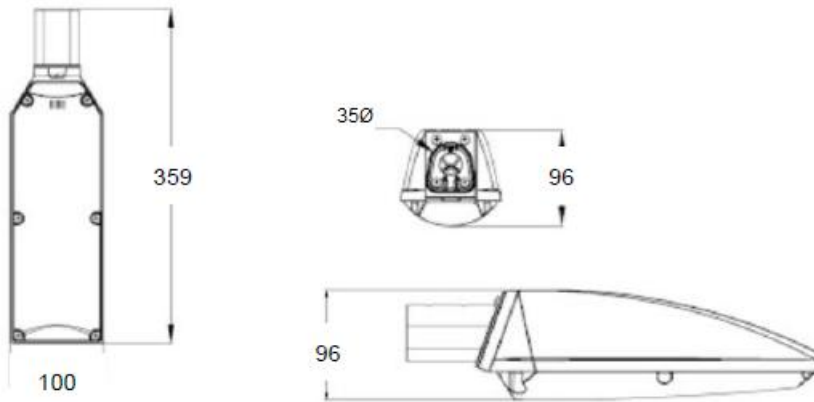
## Features

- Compact design
- Lowest Capital Cost
- Philips LED
- Suitable for P4/P5 class
- 35/55w SOX, 50w/70w SON replacement

<b>Product Family Name:</b>	"Dinky"	<b>Input Voltage:</b>	90-277V
<b>Product Family Code:</b>	SA.>Optic<.>Colour temp<.>drive current<>LM<	<b>Input Frequency:</b>	50-60Hz
<b>LED Brand:</b>	Philips Lumileds	<b>Control Signal:</b>	OPTIONAL
<b>LED Colour Temp:</b>	4000K or 5000K	<b>Chassis Material:</b>	Die-cast Aluminium
<b>CRI:</b>	>70	<b>Chassis Colour:</b>	Two tone Grey
<b>Light Source Replaceable:</b>	YES	<b>Optical Cover/lens:</b>	Polycarbonate
<b>Power Supply:</b>	Integrated (external optional)	<b>Mechanical Accessories:</b>	Post top bracket
<b>Optical Type:</b>	Road Type I, II, III, IV & Area Type V	<b>Weight:</b>	1.6Kg
<b>Optical Distribution:</b>	Multi Layer	<b>System Power:</b>	9w to 18w
<b>Optical Cover/Lens:</b>	Yes	<b>Luminous flux:</b>	890LM to 1880LM
<b>Dimmable:</b>	OPTIONAL	<b>LED Luminaire efficacy:</b>	105 lm/W
<b>Photocell:</b>	OPTIONAL	<b>Surge Protection</b>	10KV/10KA (20KV/10KA Optional)
<b>Power Cable:</b>	Supplied with 6m	<b>Working Temp:</b>	-20° to +50°C
<b>IP Rating:</b>	IP65	<b>Lifetime:</b>	L90 B50 F10
<b>Mounting:</b>	Side Entry >34mm (PT with bracket)		
<b>Aiming Angles:</b>	Set by bracket		
<b>UMSUG Codes:</b>	Available soon		

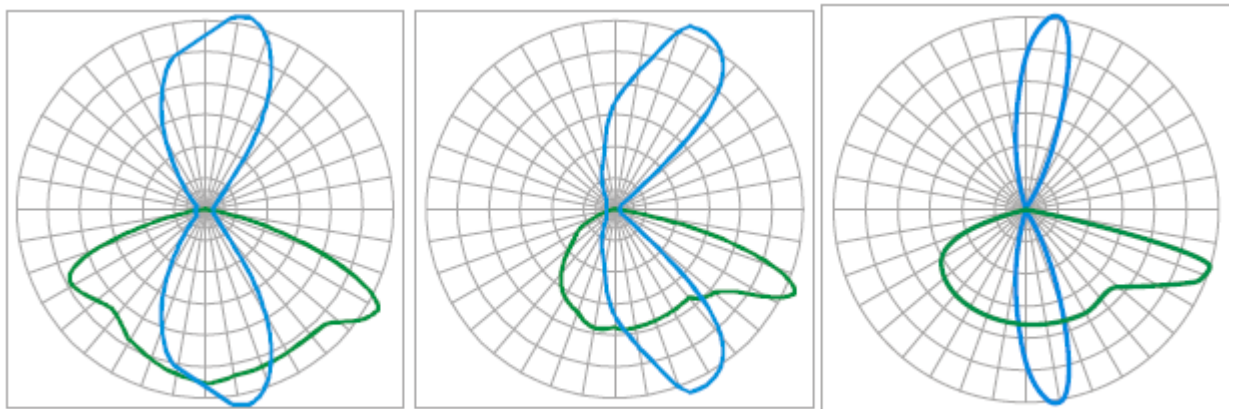


Model	Lumen Package (LM) 5000K	Lumen Package (LM) 4000K	Power (W)
SAS1	940	890	9
SAS2	1343	1271	14
SAS3	1880	1780	18



(mm)

## Photometry



TYPE I

TYPE III

Roadway